

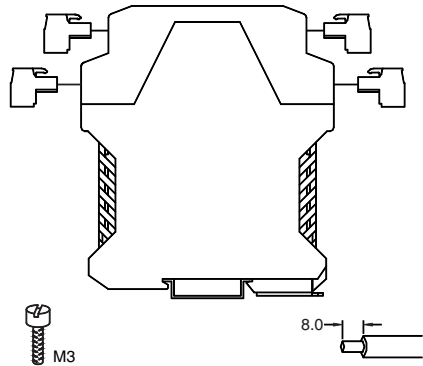
# Isolator

CZ3083  
CZ3088  
CZ3089



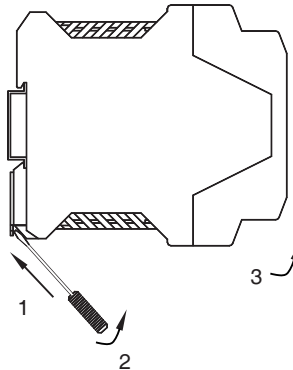
## Connections

- (1) The isolators adopt knock-down terminals.
- (2) The wires are single or multiple cables with a cross-section of 0.5 mm<sup>2</sup>~2.5mm<sup>2</sup>
- (3) A length of 8mm bared wire is locked by the M3 bolt. As shown in figure.



## Disassembly

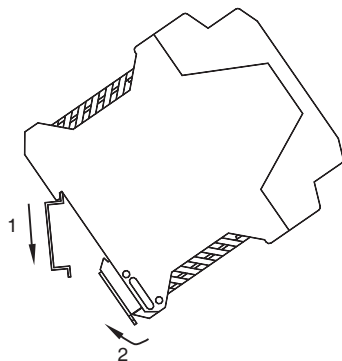
- (1) Use a screwdriver (edge length≤6mm ) insert the metal lock which at the downside of the isolator;
- (2) Push the screwdriver upwards, and pull the metal lock downwards;
- (3) Take out the isolator from the rail.



## Installation

Mount the module on a 35mm DIN rail

- (1) Make the upside of the isolator to the rail;
- (2) Push the downside of the isolator towards the rail.



## Maintenance

- (1) Every product has been tested strictly before delivery. If users find any abnormality, please contact the nearest agent or our company.
- (2) In 5 years from delivery date, if the product performs abnormally under normal use conditions, we will repair it for free.

SHANGHAI CHENZHU INSTRUMENT CO.,LTD.



Add: Building 6, 201 Minyi Road, Caohejing Hi-Tech Park  
Songjiang New Industrial Park, Shanghai 201612, P.R. China  
Tel : +86-21-64513350 Fax : +86-21-64846984  
Email: chenzhu@chenzhu-inst.com  
<http://www.chenzhu-inst.com>

Please read the instruction manual carefully before use the product, and please safekeeping.

### Caution

- Please check whether the product type on the package accords to the ordering contract;
- Read this manual carefully before installation or using. If there is something unclear, please dial technic support hotline-400 881 0780;
- Supply voltage is 24VDC, 220VAC is forbidden;
- Users are not allowed to dismantle or repair the barrier otherwise it will induce malfunction.

## ■ Summarize

Voltage signal isolator, provide isolated voltage to field instrument, convert DC voltage signal in field to DC output current or voltage signal and output isolately. The product needs an independent power supply. Input circuit, output circuit and power supply are each galvanically isolated.

## ■ Specification

**Number of channels:** 1(CZ3083)  
1/2(CZ3089)  
2(CZ3088)

**Supply voltage:** 20~35V DC

**Current consumption:** (at 24V DC supply, 20mA available voltage)  
≤ 110mA(CZ3083)  
≤ 130mA(CZ3088)  
≤ 130mA(CZ3089)

### Input:

Voltage: 0~5V, 1~5V, 0~10V

Impedance ≥ 100kΩ

Available voltage: 10V/20mA, 15V/20mA, none

Note: current 0~20mA, 4~20mA can be customized

**Output:** Current: 0~20mA, 0~20mA

Load resistance:  $R_L \leq 300\Omega$

Voltage: 0~5V, 0~5V, 0~10V;

Load resistance:  $R_L \geq 20k\Omega$

**Transfer accuracy:** 0.1%F.S.

**Temperature drift:** 0.005%F.S./°C

**Response time:** Reach 90% of final value in 1s

### Power supply protection:

Protect the barrier form reverse supply voltage destroy

**Electromagnetic compatibility:** According to GB/T 18268(IEC 61326-1)

### Dielectric strength:

1500V AC; 1minute(among power supply, input and output )

### Insulation resistance:

≥ 100MΩ; 500V DC(among power supply, input, output and the shell)

**Weight:** Approx. 100g(CZ3083)

Approx. 150g(CZ3088, CZ3089)

**Suitable is apparatus:** Voltage signal, current signal output device

## ■ Operation Conditions

(1). The air should not contain any medium corrupting the coat of chrome, nickel and silver. Moreover, violent quiver and impact or any cause of electromagnetic induction (such as big current or spark, etc.) must be avoided when using.

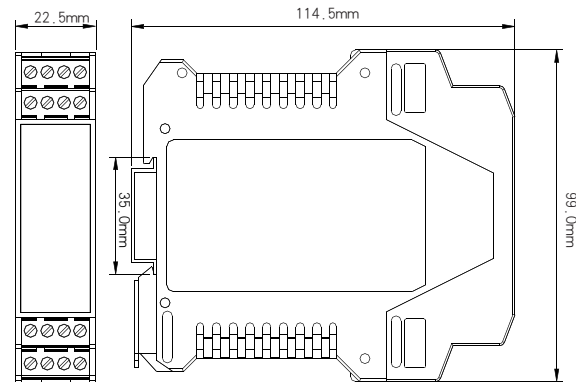
(2). Operating temperature: -20°C~+60°C

(3). Storage temperature: -40°C~+80°C

(4). Relative humidity: 10%~90%

## ■ Outline dimensions

114.5mm×99.0mm×22.5mm



## ■ Application

